

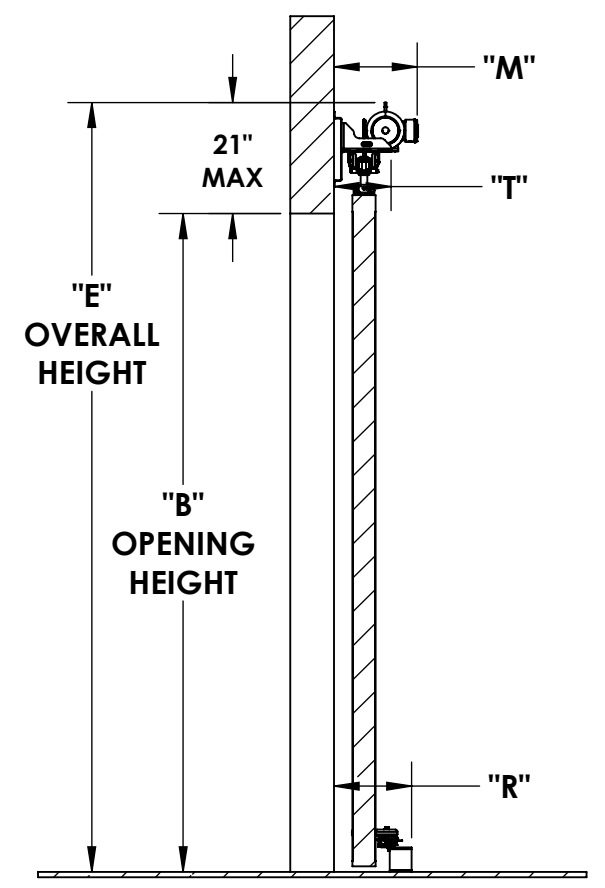
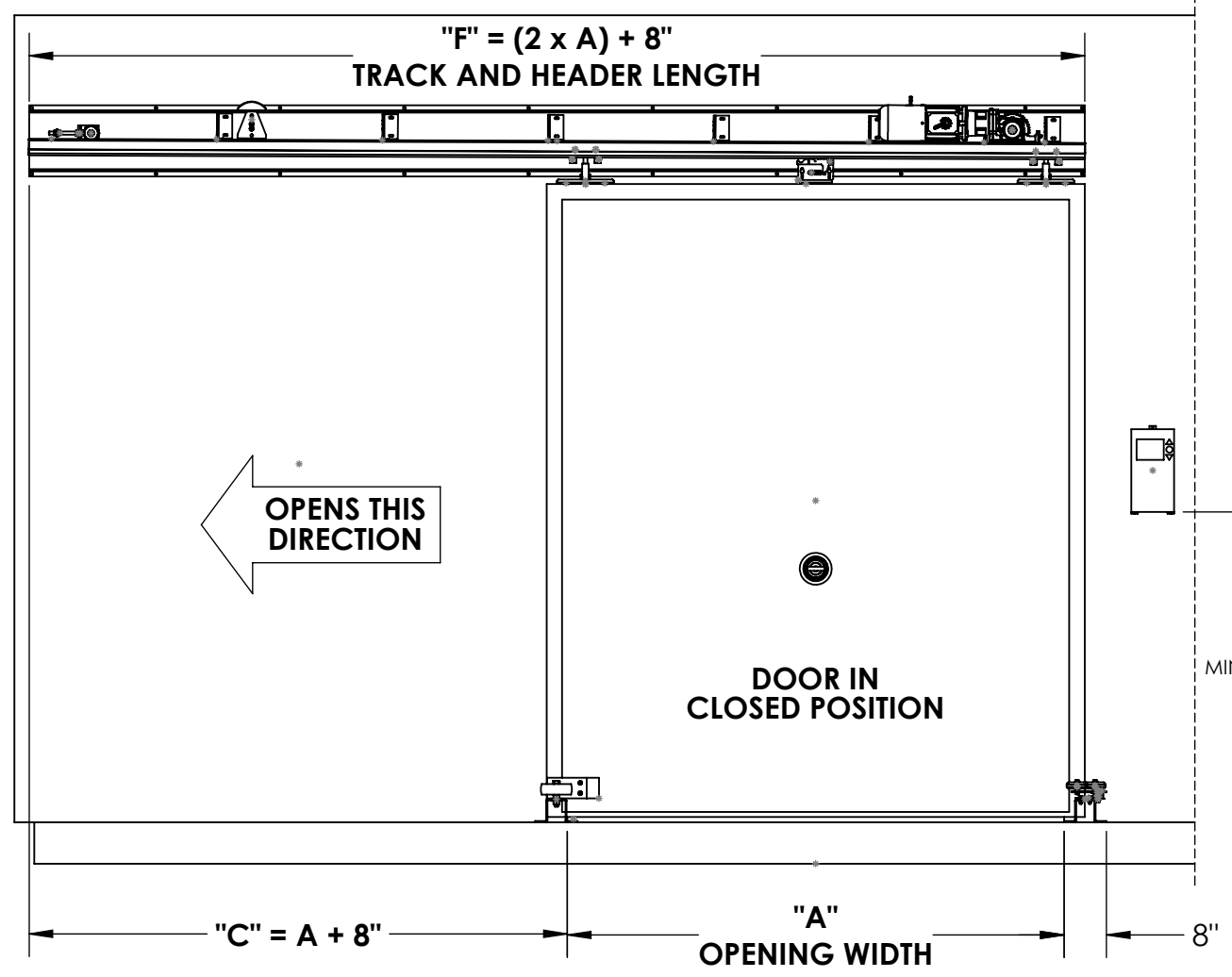
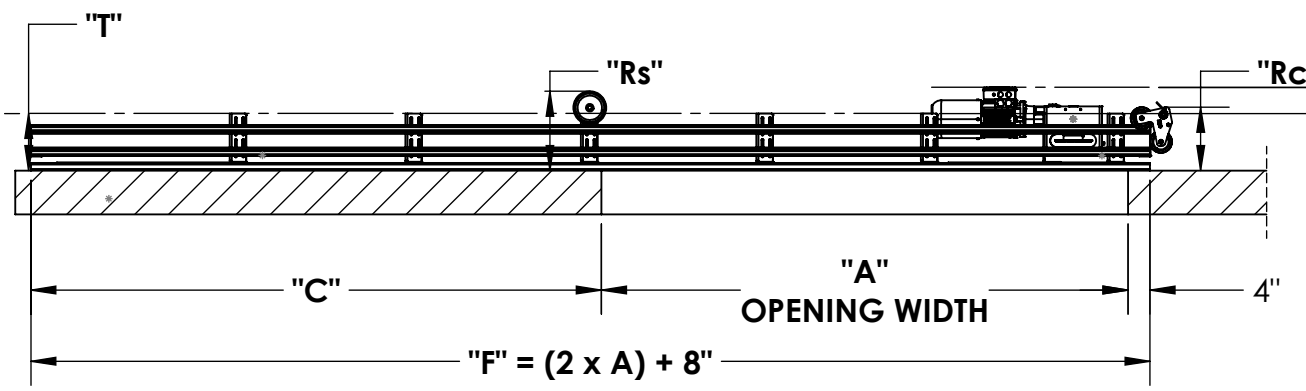
4

3

2

1

DIMENSIONS	"A"	"B"	"C"	"E"	"F"
INCHES	"M"		"M" 0	0	0
MILLIMETERS		"T"	0	0	0



Standard Features		
Standard white panel		
4" panel thickness -R17 with and EVA foam core		
Thermoplastic outer shell		
Polyurethane elastomer edge seal		
Dynalogix 5 Control System with HMI capability		
Self diagnostics with Dynalogix 5		
Full perimeter adjustable gasket seal		
Galvanized track system		
Two sets of through beam photo eyes		
Manual panel release system on both sides of panel		
Electrical Options		
460V - 3 PH	575V - 3 PH	
230V/208V - 3 PH	230V - 1 PH	
Panel Options		
6" Thick - R25 Panel		
8" Thick - R32 Panel		
10" Thick - R41 Panel		
Panel Color - BLUE		
Activation Devices		
Other Options		

	"M"	"T"	"Rs"	"Rc"
4" PANEL (R17)	15.25	10.5	14.5	11.75
6" PANEL (R25)	16.25	10.5	16.5	13.75
8" PANEL (R32)	17.75	13.75	18.5	15.75

TITLE: **RS1100-7**

SIZE	DWG. NO.	REV
<b>B</b>	<b>DOOR TYPE 7 SINGLE SLIDE</b>	

SCALE: 1:35 WEIGHT: SHEET 1 OF 1

4

3

2

1

B

B

A

A